

Model C

The Model C is a manual wall- or ceiling-mounted screen for larger rooms with permanently lubricated steel ball bearings combined with nylon bushings and heavy-duty spring assembly for smooth operation.

The Model C does not feature the Controlled Screen Return for quiet and smooth return to the case. See Model C with CSR for this feature.

Features

- Standard white powder-coated finish; available in black or veneer upon request
- Includes pull cord
- Optional floating mount brackets for wall or ceiling stud installation can be aligned left or right. Veneer finish can also be added to the bracket.

Optional Accessories:

- Ceiling Trim Kit for Model C and Model C with CSR
- Floating Mounting Bracket for Model C and Model C with CSR
- Green Laser Pointers
- Mounting and Extension Brackets
- Pull Rod
- Red Laser Pointers
- RF PowerPoint Remote with Green Laser Pointer
- Tilt Lock



16:9 HDTV Format

Viewing Area (H x W)		Nominal Diagonal		Overall Case Length	
in.	cm	in.	cm	in.	cm
45" x 80"	114 x 203	92"	234	87 ⁵ / ₁₆ "	222
52" x 92"	132 x 234	106"	269	99 ⁹ / ₁₆ "	252
54" x 96"	137 x 244	110"	279	103 ³ / ₁₆ "	262
58" x 104"	147 x 264	119"	302	111 ¹ / ₁₆ "	283
65" x 116"	165 x 295	133"	338	123 ³ / ₁₆ "	313
78" x 139"	198 x 353	159"	404	147 ⁷ / ₁₆ "	374

16:10 Wide Format

Viewing Area (H x W)		Nominal Diagonal		Overall Case Length	
in.	cm	in.	cm	in.	cm
50" x 80"	127 x 203	94"	239	87 ⁵ / ₁₆ "	222
57 ¹ / ₂ " x 92"	146 x 234	109"	277	99 ⁹ / ₁₆ "	252
60" x 96"	152 x 244	113"	287	103 ³ / ₁₆ "	262
65" x 104"	165 x 264	123"	312	111 ¹ / ₁₆ "	283
69" x 110"	175 x 279	130"	330	117 ⁷ / ₁₆ "	298
72 ¹ / ₂ " x 116"	184 x 295	137"	348	123 ³ / ₁₆ "	313
87" x 139"	221 x 353	164"	417	147 ⁷ / ₁₆ "	374

4:3 Video Format

Viewing Area (H x W)		Nominal Diagonal		Overall Case Length	
in.	cm	in.	cm	in.	cm
43" x 57"	109 x 145	72"	183	63 ¹ / ₁₆ "	160
50" x 67"	127 x 170	84"	213	73 ¹ / ₁₆ "	186
60" x 80"	152 x 203	100"	254	87 ⁵ / ₁₆ "	222
69" x 92"	175 x 234	120"	305	99 ⁹ / ₁₆ "	252
87" x 116"	221 x 295	150"	381	123 ³ / ₁₆ "	313
105" x 140"	267 x 356	180"	457	147 ⁷ / ₁₆ "	374
120" x 160"	305 x 406	200"	508	167 ¹ / ₁₆ "	425

Available with the Following Screen Surfaces



Matte White

Half Angle: 60° Gain: 1.0



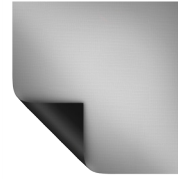
High Contrast Matte White

Half Angle: 50° Gain: 1.1



Video Spectra 1.5

Half Angle: 35° Gain: 1.5



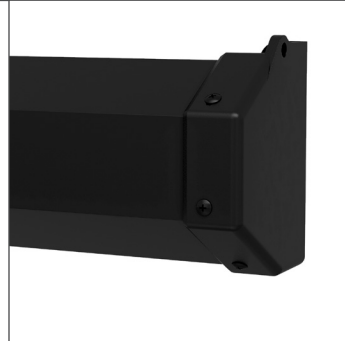
Silver Lite 2.5

Half Angle: 25° Gain: 2.5

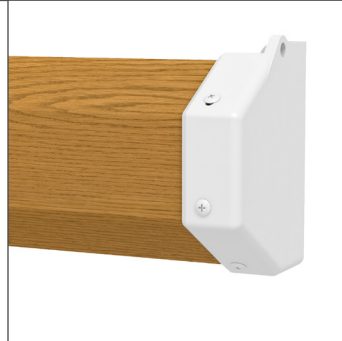
Product images



White Case (Standard)



Black Case



Light Veneer Case



Dark Veneer Case



A Milestone AV Technologies Brand

3100 North Detroit Street
Warsaw, Indiana 46582
P: 574.267.8101 or 800.622.3737
F: 574.267.7804 or 877.325.4832
E: info@da-lite.com
www.da-lite.com

DL-0502 (Rev. 1) 06.15

© 2015 Milestone AV Technologies LLC. Printed in U.S.A.