

iQ™ 10 Charging Station with USB-C PD Device Racks

Don't need the Baskets in your iQ 10 Stations? Install the included device racks instead. This document specifies the maximum device dimensions that will fit in the iQ 10 Charging Station racks.



Compatible with:



iQ™ 10 Charging Station with USB-C PD
(LNC7-10478 Available only at Apple.)

www.lockncharge.com

Phone: (888) 943-6803

info@lockncharge.com

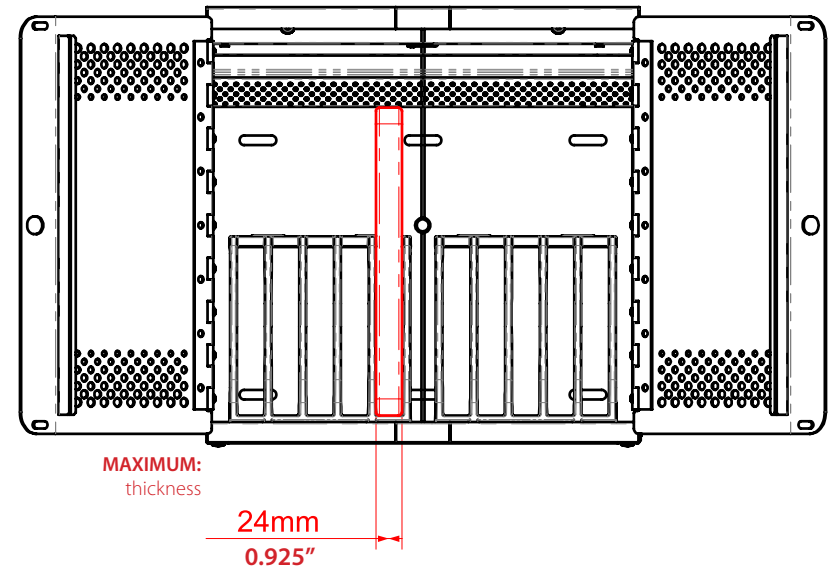
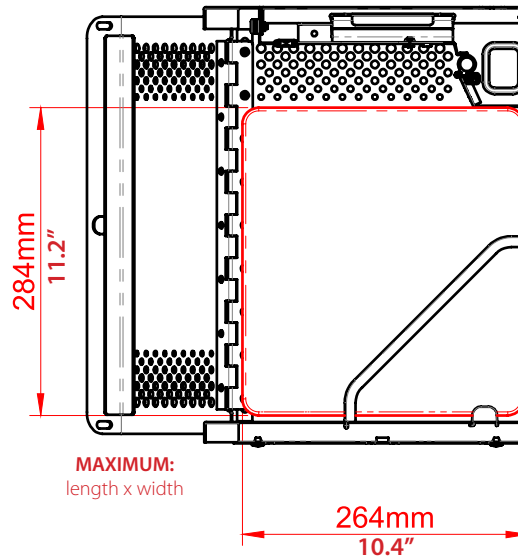


lockncharge® It just makes life easier.

iQ™ 10 Charging Station with USB-C PD Device Racks Compatibility Guide

How to Check Your Device's Compatibility:

- 1 The design of the iQ 10 Charging Station makes them compatible with most USB-C iPad and tablet devices, with or without cases.
- 2 Refer to the red measurements on the rack drawings to the right. **If your device is smaller than the measurements shown, your device is compatible.**



Product Number	Description	Total Devices per Station	Max Dimensions (mm): (length x width x thickness)	Max Dimensions (inches): (length x width x thickness)
LNC7-10478 (Apple)	Device Rack (set of 2)	10	284mm x 264mm x 24mm	11.2" x 10.4" x 0.925"

iQ 10 Charging Stations with USB-C PD charge devices via USB-C port. Devices that require USB-A cables are not compatible with this station.

www.lockncharge.com

Phone: (888) 943-6803 | info@lockncharge.com

Specifications and images are for illustration purposes only. Final product may differ. May not fit all devices. Please check the dimensions of the device and the Device Rack. Contact us for more information.

